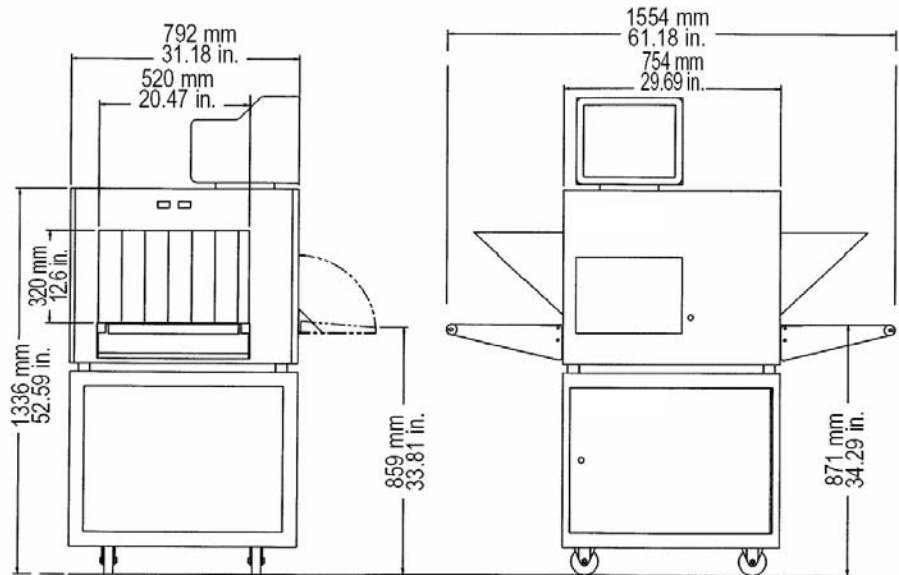


# FEP COLOR 530



FEP COLOR 530 is a compact X-ray scanner, especially designed to provide advanced technologies for security screening also in small rooms. The unit has an operator training program to allow continuous training on suspect materials detection. Image viewing and manipulation are available in color and B/W to assist system operators in the detection of dangerous materials. This X-ray tabletop unit offers comprehensive diagnostic programs and configuration menus, that are provided through the system keyboard to simplify operations.

Thanks to its small conveyor extensions, the FEP COLR 530 can pass through standard doorways and can easily be moved. At the same time, this X-ray system is ideal for locations where security is sensitive and space is limited. This unit is particularly suited to inspect small suitcases, packages, mail and other small objects.



**TECHNICAL SPECIFICATIONS**

**PHYSICAL SPECIFICATIONS:**

Dimensions:  
 Length: 1554 mm (61.18 in.)  
 Height: 1336 mm (52.59 in.)  
 Width: 792 mm (31.18 in.)  
 Tunnel Size: 520 mm (W) x 320 mm (H)  
 (20.47 x 12.6 in.)  
 Conveyor Speed: 0.22 m/sec (44ft/min)  
 Conveyor Load: 50 Kg (110 lbs)  
 Approx Weight: Net: 313 Kg (690 lbs)  
 Gross: 381 Kg (840 lbs)

**ENVIRONMENTAL REQUIREMENTS:**

Storage temperature: -20° C to 50° C  
 Operating temperature: 0° C to 40° C  
 Relative humidity: 5 to 95% non-condensing

**GENERAL:**

Resolution: 38 AWG guaranteed, 40 AWG typical  
 Penetration: 9 mm steel guaranteed, 10 mm steel typical  
 Monitor: 17 inch XVGA color, high refresh, non flicker  
 Power: 110 VAC +/-10% / 60Hz / 6A max  
 or 230 VAC +/-10% / 50Hz / 3A max

**COMPUTER SPECIFICATIONS**

Memory 64 MB RAM  
 Video Memory 16 MB  
 Hard Disk 40 GB  
 Cd-Rom 54 x

**X-RAY GENERATOR:**

Cooling: sealed oil bath  
 Anode voltage: 100 kV rated, operating @ 80 kV  
 Tube current: 0.5 mA typical

*Reserving the right to improve and modify*

RESEARCH LABORATOIRES acknowledged "Highly Qualified" with decree D.M. 9-10-1985 - L.46/82 art.4

*Head office and facilities:* Via **Arturo Gilardoni**, 1 - 23826 Mandello del Lario (LC) - Italy  
 tel. (+39) 0341.705.111 - fax (+39) 0341.735.046  
 e-mail: gx@gilardoni.it - www.gilardoni.it

*Export department:* tel. (+39) 0341.705.224 - 0341.705.281



**REFERENCE RULES**  
 EC, IEC, FAA, ICRP