

CALEIDON I

X-RAY MOBILE UNIT



CALEIDON I

X-RAY EQUIPMENT DESIGNED TO BE USED AT PATIENT'S BED, NEONATOLOGY, RESUSCITATION, OPERATING THEATRES AS WELL AS EMERGENCY ROOMS.

X-RAY GENERATOR

- High-frequency X-ray monoblock
- Minimum residual ripple (less than 3%), high-contrast resolution and lower dosage to the patient

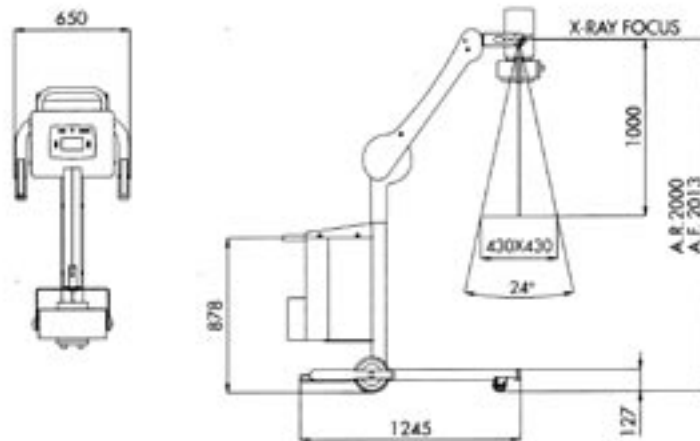
CONTROL PANEL

- Microprocessor controlled
- Touch screen console (*) with digital visualization of parameters.
- Operational mode:
 - 2 points technique (kV – mAs)
 - programmed anatomic technique

MOBILE STAND

- Lightweight and compact, stores up to 4 cassettes.
- Collimator with centering light included

	CALEIDON 80 I	CALEIDON 100 I	CALEIDON 250 I (*)	CALEIDON 320 I (*)
Power	3,3 kW	6 kW	15 kW	32 kW
Frequency	40 kHz	40 kHz	100 kHz	100 kHz
Range kV	40 ÷ 110 kV	40 ÷ 120 kV	40 ÷ 125 kV	40 ÷ 125 kV
Range mAs	0,2 ÷ 320 mAs	0,2 ÷ 320 mAs	0,2 ÷ 200 mAs	0,2 ÷ 200 mAs
Focal spot size	1,5 mm	0,3 – 0,6 mm	0,6 – 1,3 mm	0,6 – 1,3 mm
Anode type	stationary	rotating (3000 rpm)	rotating (3000 rpm)	rotating (3000 rpm)
Anatomic technique	40	240	240	240



Weight 120 - 180 kg

Reserving the right to improve and modify

Acknowledged as "HIGHLY QUALIFIED LABORATORY" with decree D.M. 9-10-1985 - L.46/82 art.4

Head office and facilities:

Via **Arturo Gilardoni**, 1 - 23826 Mandello del Lario (LC) - Italy
 tel. (+39) 0341-705.111 - fax (+39) 0341-735.046
 e-mail: oem@gilardoni.it - www.gilardoni.it
 tel. (+39) 0341-705.225 - 0341-705.241

Export department:

