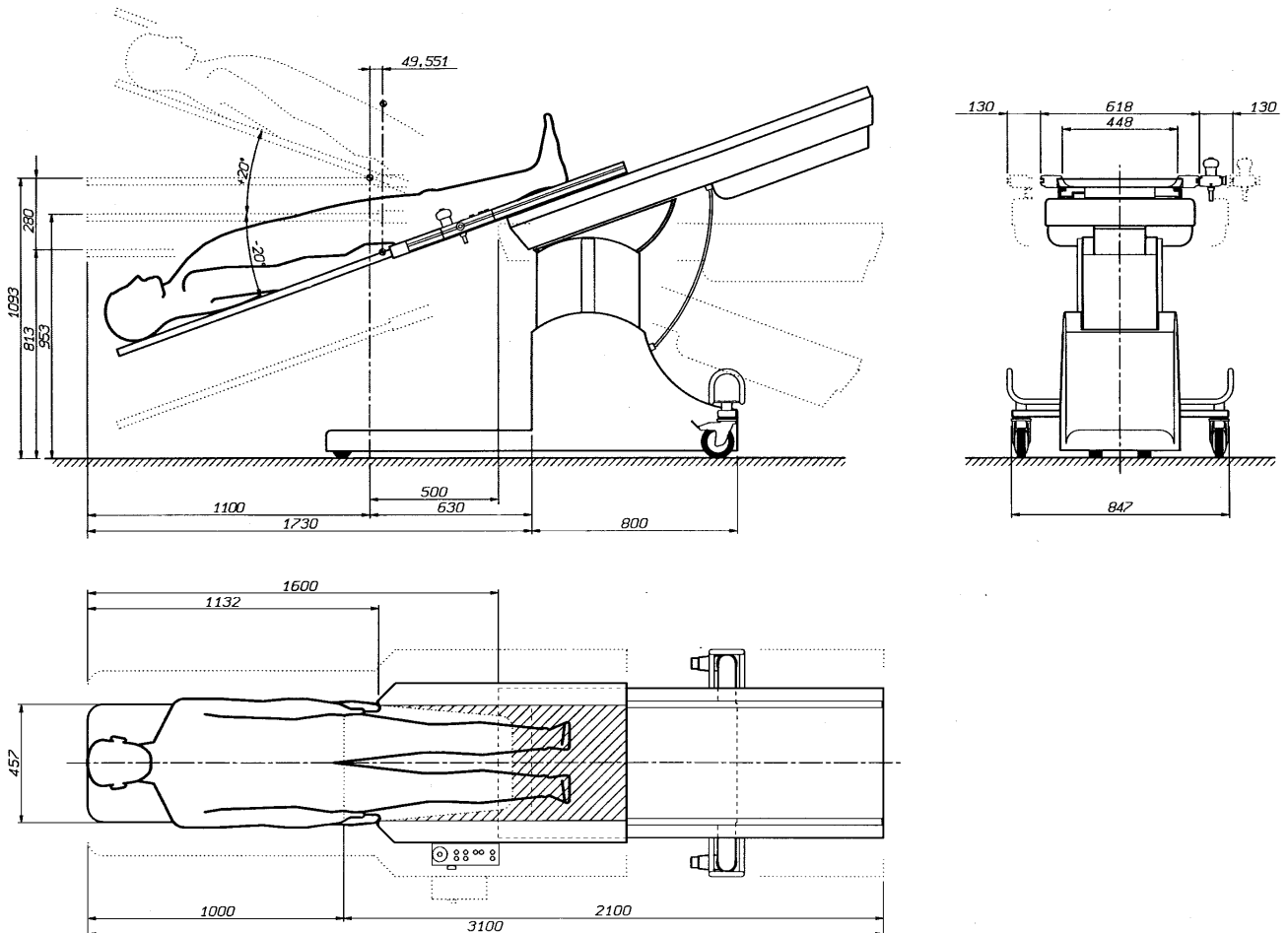


AT 160 TM

Interventional Table



Interventional Table AT 160 TM



Also available AT 160 TF version with fixed floor frame.

Reserving the right to improve and modify

Acknowledged as "HIGHLY QUALIFIED LABORATORY" with decree D.M. 9-10-1985 - L.46/82 art.4

Head office and facilities:

Via **Arturo Gilardoni**, 1 - 23826 Mandello del Lario (LC) - Italy

tel. (+39) 0341.705.111 - fax (+39) 0341.735.046

e-mail: gx@gilardoni.it - www.gilardoni.it

Export department:

tel. (+39) 0341.705.225 - 0341.705.241

